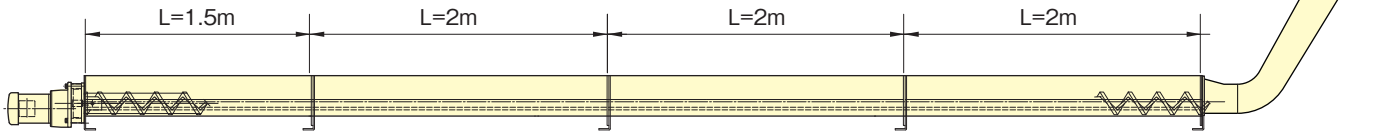


モジュールの構成

スパルコンFAは、1モーター駆動で18mまでのライン(1.5mから0.5m刻み)を構成することができます。

搬送長7.5mのモジュール構成例 (TD100-1500-40-S×1 SD100-1500×1 TM100-2000×3 SM100-2000×2 SE100-2200D×1 DU100-60-1000×1)



駆動部		中間部		排出部	
駆動モジュール					
ダイレクトドライブ		モーター出力0.4kw (搬送長8.5m以内)	モーター出力0.75kw (搬送長9m以上)		
	L=1.5m	TD100-1500-40-S	TD100-1500-75-S		
	L=2.0m	TD100-2000-40-S	TD100-2000-75-S		
チェーン式ドライブ					
左取付	L=1.5m	TD100-1500-40-L	TD100-1500-75-L		
	L=2.0m	TD100-2000-40-L	TD100-2000-75-L		
上取付	L=1.5m	TD100-1500-40-U	TD100-1500-75-U		
	L=2.0m	TD100-2000-40-U	TD100-2000-75-U		
右取付	L=1.5m	TD100-1500-40-R	TD100-1500-75-R		
	L=2.0m	TD100-2000-40-R	TD100-2000-75-R		
中間・排出モジュール					
		L=1m	TM100-1000		
		L=1.5m	TM100-1500		
		L=2.0m	TM100-2000		
交換スパイラル					
駆動部用		L=1.5m	SD100-1500		
		L=2.0m	SD100-2000		
中間部用		L=1.5m	SM100-1500		
		L=2.0m	SM100-2000		
排出部用		L=1.0m	SE100-1000-N		
		L=1.5m	SE100-1500-N		
		L=2.0m	SE100-2000-N		
装着用 排出ダクト		L=1.2m	SE100-1200-D		
		L=1.7m	SE100-1700-D		
		L=2.2m	SE100-2200-D		

※駆動部分・中間部分のトレイは、オプションで静音仕様も承ります。

●オプション

エンドプレート	
	排出部の終端で、ダクトを使用しない場合に取り付けます。 EP01

排出ダクト	
	1000H/960L [2.5~9m用] DU100-60-1000
	750H/810L [2.5~12m用] DU100-60-750
	500H/670L [2.5~18m用] DU100-60-500

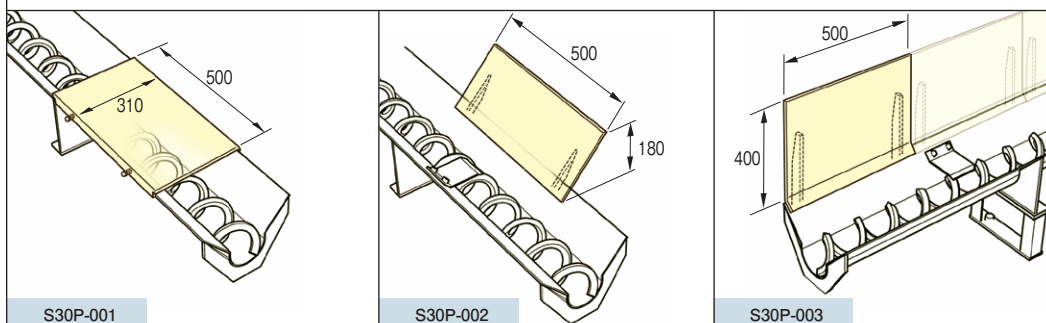


投入口以外は保護プレートの取付けを推奨いたします。

トレイ上部の開閉口に取付ける保護プレートです。作業員の安全、トレイ内への工具等の落下防止、切屑のトレイからのみ出し防止等のため、取付けをお勧めいたします。

保護プレート

取付けは簡単。長さを50cmに統一してあるため、ラインの状態にかかわらず、隙間なくびつたりと取付けることができます。



< 駆動部 : ダイレクトドライブ >

搬送長	駆動モジュール	中間・排出モジュール		駆動スライル	中間スライル		排出スライル
1.5 M	TD100-1500-40-SX1			SD100-1500-EX1			
2 M	TD100-2000-40-SX1			SD100-2000-EX1			
2.5 M	TD100-1500-40-SX1	TM100-1000X1		SD100-1500X1			SE100-1000-NX1
3 M	TD100-1500-40-SX1	TM100-1500X1		SD100-1500X1			SE100-1500-NX1
3.5 M	TD100-1500-40-SX1	TM100-2000X1		SD100-1500X1			SE100-2000-NX1
4 M	TD100-2000-40-SX1	TM100-2000X1		SD100-2000X1			SE100-2000-NX1
4.5 M	TD100-1500-40-SX1	TM100-1500X2		SD100-1500X1	SM100-1500X1		SE100-1500-NX1
5 M	TD100-1500-40-SX1	TM100-2000X1	TM100-1500X1	SD100-1500X1	SM100-2000X1		SE100-1500-NX1
5.5 M	TD100-1500-40-SX1	TM100-2000X2		SD100-1500X1	SM100-2000X1		SE100-2000-NX1
6 M	TD100-2000-40-SX1	TM100-2000X2		SD100-2000X1	SM100-2000X1		SE100-2000-NX1
6.5 M	TD100-1500-40-SX1	TM100-1500X2	TM100-2000X1	SD100-1500X1	SM100-1500X2		SE100-2000-NX1
7 M	TD100-1500-40-SX1	TM100-2000X2	TM100-1500X1	SD100-1500X1	SM100-2000X2		SE100-1500-NX1
7.5 M	TD100-1500-40-SX1	TM100-2000X3		SD100-1500X1	SM100-2000X2		SE100-2000-NX1
8 M	TD100-2000-40-SX1	TM100-2000X3		SD100-2000X1	SM100-2000X2		SE100-2000-NX1
8.5 M	TD100-1500-40-SX1	TM100-1500X2	TM100-2000X2	SD100-1500X1	SM100-1500X2	SM100-2000X1	SE100-2000-NX1
9 M	TD100-1500-75-SX1	TM100-2000X3	TM100-1500X1	SD100-1500X1	SM100-2000X3		SE100-1500-NX1
9.5 M	TD100-1500-75-SX1	TM100-2000X4		SD100-1500X1	SM100-2000X3		SE100-2000-NX1
10 M	TD100-2000-75-SX1	TM100-2000X4		SD100-2000X1	SM100-2000X3		SE100-2000-NX1
10.5 M	TD100-1500-75-SX1	TM100-2000X3	TM100-1500X2	SD100-1500X1	SM100-2000X3	SM100-1500X1	SE100-1500-NX1
11 M	TD100-1500-75-SX1	TM100-2000X4	TM100-1500X1	SD100-1500X1	SM100-2000X4		SE100-1500-NX1
11.5 M	TD100-1500-75-SX1	TM100-2000X5		SD100-1500X1	SM100-2000X4		SE100-2000-NX1
12 M	TD100-2000-75-SX1	TM100-2000X5		SD100-2000X1	SM100-2000X4		SE100-2000-NX1
12.5 M	TD100-1500-75-SX1	TM100-2000X4	TM100-1500X2	SD100-1500X1	SM100-2000X4	SM100-1500X1	SE100-1500-NX1
13 M	TD100-1500-75-SX1	TM100-2000X5	TM100-1500X1	SD100-1500X1	SM100-2000X5		SE100-1500-NX1
13.5 M	TD100-1500-75-SX1	TM100-2000X6		SD100-1500X1	SM100-2000X5		SE100-2000-NX1
14 M	TD100-2000-75-SX1	TM100-2000X6		SD100-2000X1	SM100-2000X5		SE100-2000-NX1
14.5 M	TD100-1500-75-SX1	TM100-2000X5	TM100-1500X2	SD100-1500X1	SM100-2000X5	SM100-1500X1	SE100-1500-NX1
15 M	TD100-1500-75-SX1	TM100-2000X6	TM100-1500X1	SD100-1500X1	SM100-2000X6		SE100-1500-NX1
15.5 M	TD100-1500-75-SX1	TM100-2000X7		SD100-1500X1	SM100-2000X6		SE100-2000-NX1
16 M	TD100-2000-75-SX1	TM100-2000X7		SD100-2000X1	SM100-2000X6		SE100-2000-NX1
16.5 M	TD100-1500-75-SX1	TM100-2000X6	TM100-1500X2	SD100-1500X1	SM100-2000X6	SM100-1500X1	SE100-1500-NX1
17 M	TD100-1500-75-SX1	TM100-2000X7	TM100-1500X1	SD100-1500X1	SM100-2000X7		SE100-1500-NX1
17.5 M	TD100-1500-75-SX1	TM100-2000X8		SD100-1500X1	SM100-2000X7		SE100-2000-NX1
18 M	TD100-2000-75-SX1	TM100-2000X8		SD100-2000X1	SM100-2000X7		SE100-2000-NX1

< 駆動部：チェーン式ドライブ >

搬送長	駆動モジュール	中間・排出モジュール		駆動ス ^レ イブル	中間ス ^レ イブル		排出ス ^レ イブル
1.5 M	TD100-1500-40-U・R・LX1			SDE100-1500X1			
2 M	TD100-2000-40-U・R・LX1			SDE100-2000X1			
2.5 M	TD100-1500-40-U・R・LX1	TM100-1000X1		SD100-1500X1			SE100-1000-NX1
3 M	TD100-1500-40-U・R・LX1	TM100-1500X1		SD100-1500X1			SE100-1500-NX1
3.5 M	TD100-1500-40-U・R・LX1	TM100-2000X1		SD100-1500X1			SE100-2000-NX1
4 M	TD100-2000-40-U・R・LX1	TM100-2000X1		SD100-2000X1			SE100-2000-NX1
4.5 M	TD100-1500-40-U・R・LX1	TM100-1500X2		SD100-1500X1	SM100-1500X1		SE100-1500-NX1
5 M	TD100-1500-40-U・R・LX1	TM100-2000X1	TM100-1500X1	SD100-1500X1	SM100-2000X1		SE100-1500-NX1
5.5 M	TD100-1500-40-U・R・LX1	TM100-2000X2		SD100-1500X1	SM100-2000X1		SE100-2000-NX1
6 M	TD100-2000-40-U・R・LX1	TM100-2000X2		SD100-2000X1	SM100-2000X1		SE100-2000-NX1
6.5 M	TD100-1500-40-U・R・LX1	TM100-1500X2	TM100-2000X1	SD100-1500X1	SM100-1500X2		SE100-2000-NX1
7 M	TD100-1500-40-U・R・LX1	TM100-2000X2	TM100-1500X1	SD100-1500X1	SM100-2000X2		SE100-1500-NX1
7.5 M	TD100-1500-40-U・R・LX1	TM100-2000X3		SD100-1500X1	SM100-2000X2		SE100-2000-NX1
8 M	TD100-2000-40-U・R・LX1	TM100-2000X3		SD100-2000X1	SM100-2000X2		SE100-2000-NX1
8.5 M	TD100-1500-40-U・R・LX1	TM100-1500X2	TM100-2000X2	SD100-1500X1	SM100-1500X2	SM100-2000X1	SE100-2000-NX1
9 M	TD100-1500-75-U・R・LX1	TM100-2000X3	TM100-1500X1	SD100-1500X1	SM100-2000X3		SE100-1500-NX1
9.5 M	TD100-1500-75-U・R・LX1	TM100-2000X4		SD100-1500X1	SM100-2000X3		SE100-2000-NX1
10 M	TD100-2000-75-U・R・LX1	TM100-2000X4		SD100-2000X1	SM100-2000X3		SE100-2000-NX1
10.5 M	TD100-1500-75-U・R・LX1	TM100-2000X3	TM100-1500X2	SD100-1500X1	SM100-2000X3	SM100-1500X1	SE100-1500-NX1
11 M	TD100-1500-75-U・R・LX1	TM100-2000X4	TM100-1500X1	SD100-1500X1	SM100-2000X4		SE100-1500-NX1
11.5 M	TD100-1500-75-U・R・LX1	TM100-2000X5		SD100-1500X1	SM100-2000X4		SE100-2000-NX1
12 M	TD100-2000-75-U・R・LX1	TM100-2000X5		SD100-2000X1	SM100-2000X4		SE100-2000-NX1
12.5 M	TD100-1500-75-U・R・LX1	TM100-2000X4	TM100-1500X2	SD100-1500X1	SM100-2000X4	SM100-1500X1	SE100-1500-NX1
13 M	TD100-1500-75-U・R・LX1	TM100-2000X5	TM100-1500X1	SD100-1500X1	SM100-2000X5		SE100-1500-NX1
13.5 M	TD100-1500-75-U・R・LX1	TM100-2000X6		SD100-1500X1	SM100-2000X5		SE100-2000-NX1
14 M	TD100-2000-75-U・R・LX1	TM100-2000X6		SD100-2000X1	SM100-2000X5		SE100-2000-NX1
14.5 M	TD100-1500-75-U・R・LX1	TM100-2000X5	TM100-1500X2	SD100-1500X1	SM100-2000X5	SM100-1500X1	SE100-1500-NX1
15 M	TD100-1500-75-U・R・LX1	TM100-2000X6	TM100-1500X1	SD100-1500X1	SM100-2000X6		SE100-1500-NX1
15.5 M	TD100-1500-75-U・R・LX1	TM100-2000X7		SD100-1500X1	SM100-2000X6		SE100-2000-NX1
16 M	TD100-2000-75-U・R・LX1	TM100-2000X7		SD100-2000X1	SM100-2000X6		SE100-2000-NX1
16.5 M	TD100-1500-75-U・R・LX1	TM100-2000X6	TM100-1500X2	SD100-1500X1	SM100-2000X6	SM100-1500X1	SE100-1500-NX1
17 M	TD100-1500-75-U・R・LX1	TM100-2000X7	TM100-1500X1	SD100-1500X1	SM100-2000X7		SE100-1500-NX1
17.5 M	TD100-1500-75-U・R・LX1	TM100-2000X8		SD100-1500X1	SM100-2000X7		SE100-2000-NX1
18 M	TD100-2000-75-U・R・LX1	TM100-2000X8		SD100-2000X1	SM100-2000X7		SE100-2000-NX1